



High Power Amplifier

Model:RPA-4G-8G-1600-P

4-8GHz 1600W Pulse

Ultrabroad frequency range, high performance and exceptional RF characteristics

Features:

- Frequency range: 4-8GHz
- High output power at saturation, 62dBm Min.
- High gain, 63dB Min.
- Operates from AC line power: 220V

Applications:

- Laboratory test instrument
- RF Power stress test
- EMI and antenna testing
- Reliability testing

Product Overview:

The RPA-4G-8G-1600-P is a high power, rack mount amplifier with a self-contained AC power supply which can be used for a wide variety of laboratory testing applications. This rugged amplifier is capable of amplifying signals up to 1600W output power over its entire operating bandwidth of 4 to 8GHz. The control functions RPA-4G-8G-1600-P possesses include the on/off of the power supply, output power can be controlled by the automatic ALC system, on/off of the RF setting, the adjustment of the gain and real time status query. Built-in safety features include fans alarms and automatic shut down mechanism to prevent damage in the event of excessive internal temperatures. The amplifier's output stage is further protected in the event of a fault condition, allowing high power operation for up to 5 minutes into an open or short load (refer to the maximum input power specifications). And it has built-in protection functions included over TEM, over voltage, over current and over VSWR protection. It can also be remotely controlled via RS422 or Ethernet.



Electrical Specifications at 25°C:

Parameter	Symbol	Min	Typ	Max	Units
Frequency range	BW	4-8			GHz
Power Gain	GP	63			dB
Output Power adjust Range	Δ PR		30		dB
Output Power adjust Step	Δ PS		0.5		dB
Output Psat	Psat	62			dBm
Peak Output Power	P.P	62	63		dBm
Peak Power flatness	Δ P.PL		\pm 0.5		dB
Spurious	Spur			-60	dBc
Harmonics	HAM			-12	dBc
Modulation Frequency	MF	0.2		100	KHz
Pulse Width	T	0.2		300	us
Duty Cycle	τ			10	%
Rise/Fall Time	Tr		50	100	ns
Input VSWR	VSWR			2	:1
AC Voltage	Vac		220		V AC
Power consumption@10% duty cycle	Pdiss			1000	W
Impedance	I/O-IMP	50			Ohms

Mechanical Specifications:

Parameter	Value	Notes
Operating Temperature*	-20 to +40	°C
Non-operating Temperature*	-30 to +50	°C
Relative humidity	95	%
Input/Output Connector	TNC Female/WRD-350	
AC power Soft-Start	Push-button	
Forward/Reverse Coupling Connector	SMA Female/SMA Female	
Front Panel LCD Screen Display	7 inch touch screen	
Communication Interfaces	RJ45/DB9	
Pulse Input Connector	TNC Female	
Digital Monitor & Control	Serial:RS422; Ethernet	Optional: GPIB



Mechanical Specifications:

Parameter	Value	Notes
Cooling	Built in Cooling system,forced air cooling	
Altitude	10,000	feet
Shock / Vibration(MIL-STD-810F)	25g rms (15 degree 2KHz) endurance, 1 hour per axis	
Shock(non operating)	20G for 11msc half sin wave,3 axis both directions	
Dimensions W x H x D	12U	
Weight	≤150	Kg

*Note: For a wider temperature range, please consult the manufacturer.

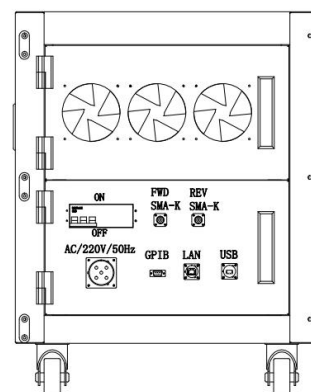
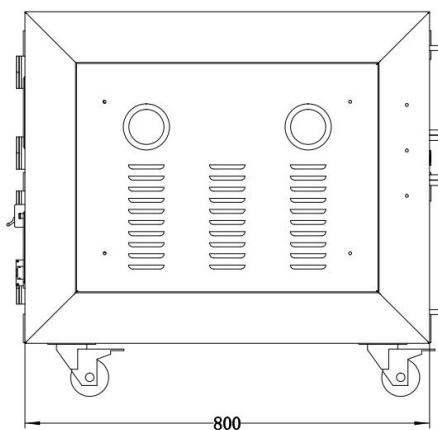
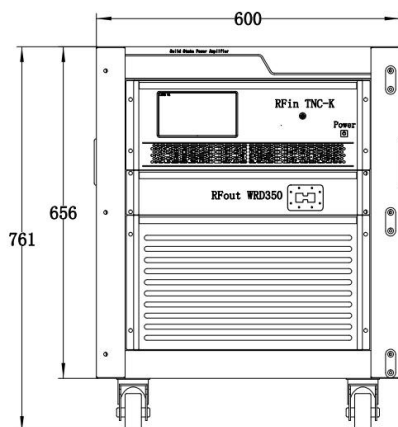
Absolute Maximum Ratings:

Parameter	Value
RF Input Power	+5 dBm
ESD sensitivity (HBM)	Class 0, passed 150V

Outline Drawing:

Unit:mm

RPA-4G-8G-1600-P





Optional items:

Number	Parameter
1	LCD display touchscreen
2	Ingress protection grad
3	Customized operating temperature range
4	Built in Cooling system(air or liquid)
5	Types of RF,coupling and monitor&control interfaces

Outline Drawing:

Base Number	Description	Optional
RPA-4G-8G-1600-P	High Power Amplifier, 4-8GHz, 1600W Pulse, Built in air or liquid cooling, without LCD and IP grad.	Basic version
RPA-4G-8G-1600-P-M	High Power Amplifier, 4-8GHz, 1600W Pulse, Built in air or liquid cooling, with LCD.	Add LCD display touchscreen
RPA-4G-8G-1600-P-IPxx	High Power Amplifier, 4-8GHz, 1600W Pulse, Built in air or liquid cooling, with LCD and IP grad.	Add Ingress protection grad