



# High Power Amplifier

## Model:RPA-27G5-30G-100

27.5-30GHz 100W CW

Ultrabroad frequency range, high performance and exceptional RF characteristics

### Features:

- Frequency range: 27.5-30GHz
- High output power at saturation, 50dBm Min.
- High gain, 50dB Min.
- Operates from AC line power: 220V

### Applications:

- Laboratory test instrument
- RF Power stress test
- EMI and antenna testing
- Reliability testing

### Product Overview:

The RPA-27G5-30G-100 is a high power, rack mount amplifier with a self-contained AC power supply which can be used for a wide variety of laboratory testing applications. This rugged amplifier is capable of amplifying signals up to 100W output power over its entire operating bandwidth of 27.5 to 30GHz. The control functions that RPA-27G5-30G-100 possesses include the on/off of the power supply and output power can be controlled by the automatic ALC system. Built-in safety features include fans alarms and automatic shut down mechanism to prevent damage in the event of excessive internal temperatures. The amplifier's output stage is further protected in the event of a fault condition, allowing high power operation for up to 5 minutes into an open or short load (refer to the maximum input power specifications). And it has built-in protection functions included over TEM, over voltage, over current and over VSWR protection. It can also be remotely controlled via RS422 or LAN.



## Electrical Specifications at 25°C:

Parameter	Symbol	Min	Typ	Max	Units
Frequency range	BW	27.5-30			GHz
Power Gain	GP	50			dB
Gain flatness	$\Delta$ GL	$\pm 1.5$ @Bandwidth=200MHz			dB
Gain Stability	Gstb	$\pm 3$ @Full temperature range			dB
Output Psat	Psat	50	51		dBm
Output IM3	IM3		-30	-25	dBc
Spurious	Spur			-60	dBc
Noise PSD	ND		-90		dBm/Hz
Input VSWR	VSWRin			2.0	:1
Output VSWR	VSWRout		1.5	1.8	:1
AC Voltage	Vac		220		V AC
Power Consumption	Pdiss			1200	W
Impedance	I/O-IMP	50			Ohms

## Mechanical Specifications:

Parameter	Value	Notes
Operating Temperature*	-20 to +40	°C
Non-operating Temperature*	-30 to +50	°C
Relative humidity	95	%
Input/Output Connector	2.92mm Female/WR28	
Forward/Reverse Coupling	2.92mm Female/2.92mm Female	
Digital Monitor & Control	Serial:RS422;LAN	Optional: GPIB
Cooling	Built in Cooling system,forced air cooling	
Altitude	10,000	feet
Shock / Vibration(MIL-STD-810F)	25g rms (15 degree 2KHz) endurance, 1 hour per axis	
Shock(non operating)	20G for 11msc half sin wave,3 axis both directions	
Monitor functions	1,Operating voltage, current, temperature 2,transmitting power and reflected power	
Dimensions W x H x D	300*208*185	mm
Weight	$\leq 25$	Kg

\*Note: For a wider temperature range, please consult the manufacturer.



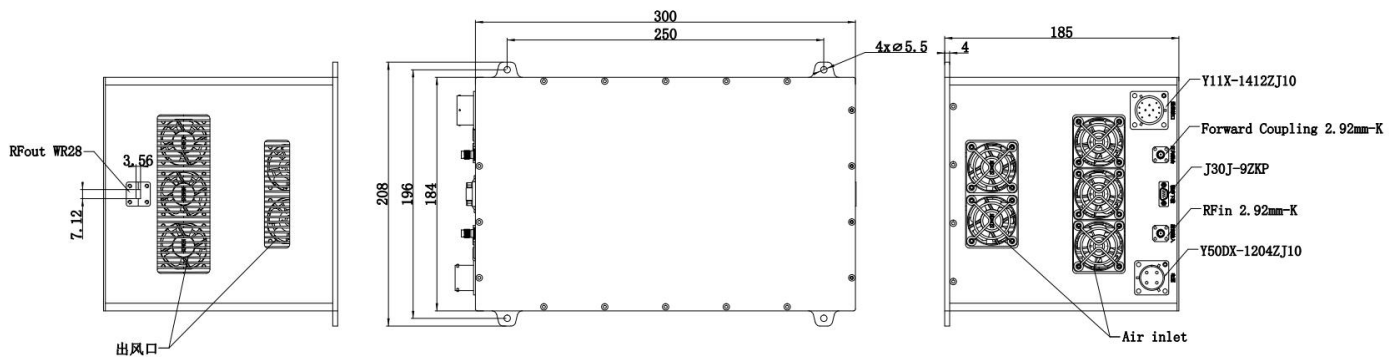
## Absolute Maximum Ratings:

Parameter	Value
RF Input Power	TBD
ESD sensitivity (HBm)	Class 0, passed 150V

## Outline Drawing:

Unit:mm

RPA-27G5-30G-100



## Optional items:

Number	Parameter
1	LCD display touchscreen
2	Ingress protection grad
3	Customized operating temperature range
4	Built in Cooling system(air or liquid)
5	Types of RF,coupling and monitor&control interfaces



## Outline Drawing:

Base Number	Description	Optional
RPA-27G5-30G-100	High Power Amplifier, 27.5-30GHz, 100W CW, Built in air or liquid cooling, without LCD and IP grad.	Basic version
RPA-27G5-30G-100-M	High Power Amplifier, 27.5-30GHz, 100W CW, Built in air or liquid cooling, with LCD.	Add LCD display touchscreen
RPA-27G5-30G-100-IPxx	High Power Amplifier, 27.5-30GHz, 100W CW, Built in air or liquid cooling, with LCD and IP grad.	Add Ingress protection grad