



# High Power Amplifier

## Model:RPA-40G-50G-4

40-50GHz 4W CW

Ultrabroad frequency range, high performance and exceptional RF characteristics

### Features:

- Frequency range: 40-50GHz
- High output power at saturation, 36dBm Min.
- High gain, 35dB Min.
- Operates from AC line power: 220V

### Applications:

- Laboratory test instrument
- RF Power stress test
- EMI and antenna testing
- Reliability testing

### Product Overview:

The RPA-40G-50G-4 is a high power, rack mount amplifier with a self-contained AC power supply which can be used for a wide variety of laboratory testing applications. This rugged amplifier is capable of amplifying signals up to 4W output power over its entire operating bandwidth of 40 to 50GHz. The control functions RPA-40G-50G-4 possesses include the on/off of the power supply. Built-in safety features include fans alarms and automatic shut down mechanism to prevent damage in the event of excessive internal temperatures. The amplifier's output stage is further protected in the event of a fault condition, allowing high power operation for up to 5 minutes into an open or short load (refer to the maximum input power specifications). And it has built-in protection function included over voltage protection. It can also be remotely controlled via RS422.



## Electrical Specifications at 25°C:

Parameter	Symbol	Min	Typ	Max	Units
Frequency range	BW	40-50			GHz
Power Gain	GP	35	36		dB
Output Psat	Psat	36			dBm
Output P1dB	P1dB		47		dBm
Spurious	Spur			-50	dBc
Input VSWR	VSWRin			2.0	:1
AC Voltage	Vac		220		V AC
Power Consumption	Pdiss			120	W
Impedance	I/O-IMP	50			Ohms

## Mechanical Specifications:

Parameter	Value	Notes
Operating Temperature*	0 to +40	°C
Non-operating Temperature*	-10 to +50	°C
Relative humidity	95	%
RF Input /Output Connector	2.4mm Female/WR19	
Communication Connector	RJ45	
Digital Monitor & Control	Serial:RS422	Optional: GPIB
Cooling	Built in Cooling system,forced air cooling	
Altitude	10,000	feet
Shock / Vibration(MIL-STD-810F)	25g rms (15 degree 2KHz) endurance, 1 hour per axis	
Shock(non operating)	20G for 11msc half sin wave,3 axis both directions	
Dimensions W x H x D	320*200*88	mm
Weight	≤7.5	Kg

\*Note: For a wider temperature range, please consult the manufacturer.

## Absolute Maximum Ratings:

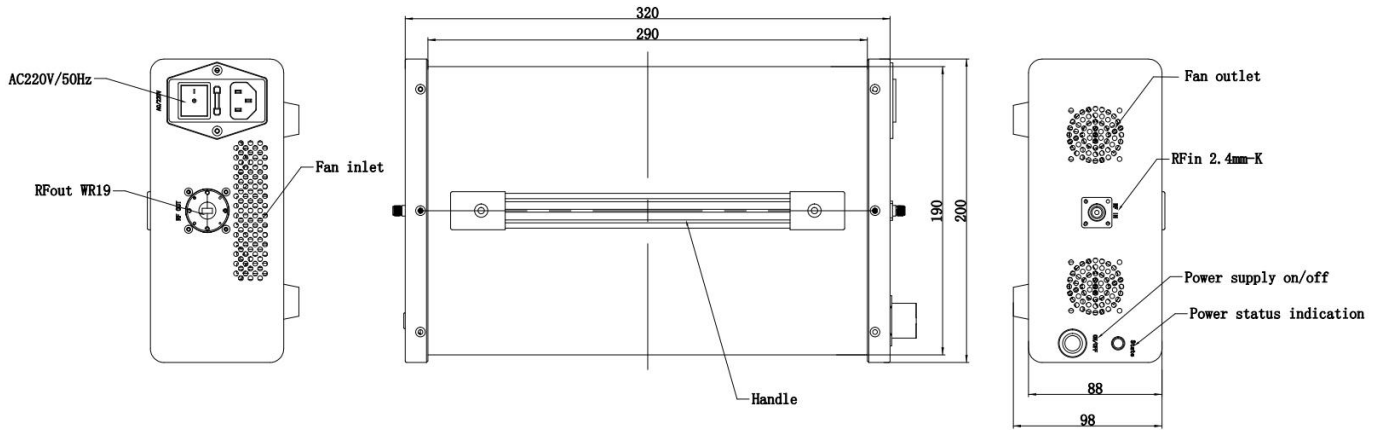
Parameter	Value
RF Input Power	+5 dBm
ESD sensitivity (HBm)	Class 0, passed 150V



## Outline Drawing:

Unit:mm

RPA-40G-50G-4



## Optional items:

Number	Parameter
1	LCD display touchscreen
2	Ingress protection grad
3	Customized operating temperature range
4	Built in Cooling system(air or liquid)
5	Types of RF,coupling and monitor&control interfaces

## Outline Drawing:

Base Number	Description	Optional
RPA-40G-50G-4	High Power Amplifier, 40-50GHz, 4W CW, Built in air or liquid cooling, without LCD and IP grad.	Basic version
RPA-40G-50G-4-M	High Power Amplifier, 40-50GHz, 4W CW, Built in air or liquid cooling, with LCD.	Add LCD display touchscreen
RPA-40G-50G-4-IPxx	High Power Amplifier, 40-50GHz, 4W CW, Built in air or liquid cooling, with LCD and IP grad.	Add Ingress protection grad