



High Power Amplifier

Model:RPA-74G-110G-5

74-110GHz 5W CW

Ultrabroad frequency range, high performance and exceptional RF characteristics

Features:

- Frequency range: 74-110GHz
- High output power at saturation, 37dBm Min
- High gain, 37dB Min
- Operates from AC line power: 220V

Applications:

- Laboratory test instrument
- RF Power stress test
- EMI and antenna testing
- Reliability testing

Product Overview:

The RPA-74G-110G-5 is a high power, rack mount amplifier with a self-contained AC power supply which can be used for a wide variety of laboratory testing applications. This rugged amplifier is capable of amplifying signals up to 5W output power over its entire operating bandwidth of 74 to 110GHz. The control functions RPA-74G-110G-5 possesses include the on/off of the power supply. Built-in safety features include fans alarms and automatic shut down mechanism to prevent damage in the event of excessive internal temperatures. The amplifier's output stage is further protected in the event of a fault condition, allowing high power operation for up to 5 minutes into an open or short load (refer to the maximum input power specifications). And it has built-in protection functions included over TEM, over voltage, over current and over VSWR.



Electrical Specifications at 25°C:

Parameter	Symbol	Min	Typ	Max	Units
Frequency range	BW	74		110	GHz
Working Mode	MOD	CW/PULSE compatible			
Power Gain@Psat	GP	37			dB
Output Psat	Psat	37			dBm
Spurious@Psat	Spur		-50		dBc
AC Voltage	Vac		+220		V AC
Power Consumption	Pdiss			400	W
Impedance	I/O-IMP		50		Ohms

Mechanical Specifications:

Parameter	Value	Notes
Operating Temperature*	-20 to +50	°C
Non-operating Temperature*	-30 to +60	°C
Relative humidity	95	%
RF Input/Output Connector	WR10/WR10	
Power Supply Connector	Y50DX-1203	
Cooling	Built in Cooling system,forced air cooling	
Altitude	10,000	feet
Shock / Vibration(MIL-STD-810F)	25g rms (15 degree 2KHz) endurance, 1 hour per axis	
Shock(non operating)	20G for 11msc half sin wave,3 axis both directions	
Dimensions W x H x D	295*230*132	mm
Weight	≤10	Kg

*Note: For a wider temperature range, please consult the manufacturer.

Absolute Maximum Ratings:

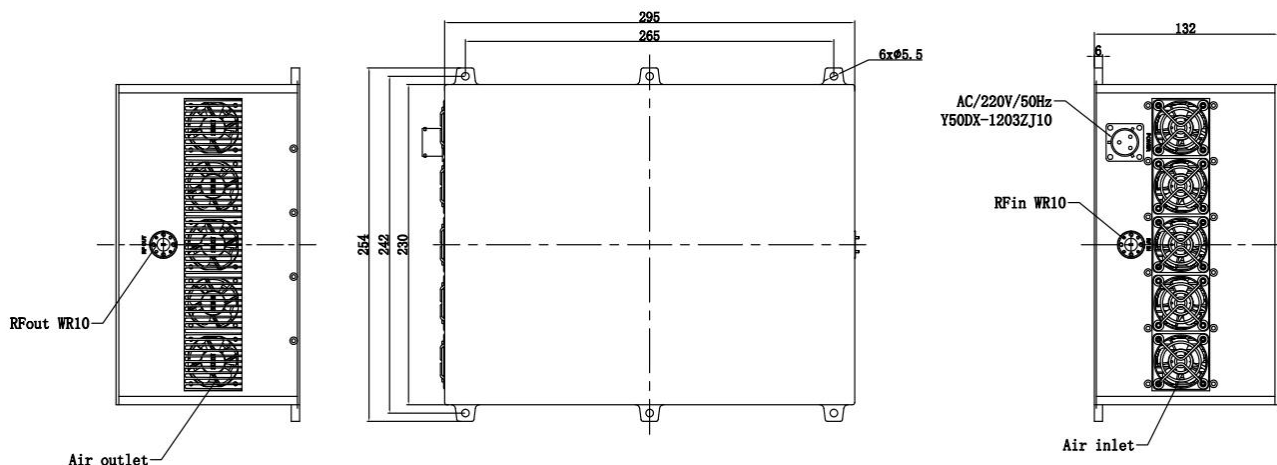
Parameter	Value
RF Input Power	+5 dBm
ESD sensitivity (HBm)	Class 0, passed 150V



Outline Drawing:

Unit:mm

RPA-6G-18G-316



Optional items:

Number	Parameter
1	LCD display touchscreen
2	Ingress protection grad
3	Customized operating temperature range
4	Built in Cooling system(air or liquid)
5	Types of RF,coupling and monitor&control interfaces

Ordering Information:

Base Number	Description	Optional
RPA-74G-110G-5	High Power Amplifier, 74-110GHz, 5W, Built in air or liquid cooling, without LCD and IP grad.	Basic version
RPA-74G-110G-5-M	High Power Amplifier, 74-110GHz, 5W, Built in air or liquid cooling, with LCD.	Add LCD display touchscreen
RPA-74G-110G-5-IPxx	High Power Amplifier, 74-110GHz, 5W, Built in air or liquid cooling, with LCD and IP grad.	Add Ingress protection grad