



Power Amplifier

Model: PA-0G1-22G-1-L

0.1-22GHz 1W CW

Ultrabroad frequency range, high performance and exceptional RF characteristics

Features:

- Frequency range: 0.1-22GHz
- Input 1 dB Gain Compression Point, 1W Min.
- High gain, 30 dB Typ.
- 50 Ohm Matched Input / Output.

Applications:

- Cellular
- PCN
- GSM
- ISM
- Lab Test

Product Overview:

The PA-0G1-22G-1-L is a power amplifier with a typical small signal gain of 30 dB and a minimum P1dB of 1W across the frequency range of 0.1 to 22GHz. The DC power requirement for the amplifier is +18 VDC/0.9 A. The input and output port configuration offers coax adapter structure with SMA female.



Electrical Specifications at 25°C:

Parameter	Min	Typ	Max	Units
Frequency range	0.1		22	GHz
Small Signal Gain*	28	30		dB
Small Signal Gain Flatness		±5		dB
Output P1dB	30			dBm
Spurious		-60		dBc
Input VSWR			2.2	:1
Output VSWR			2.2	:1
DC Voltage		+18		V DC
DC Supply Current		0.9		A
Impedance		50		Ohms

*Note: These parameters deteriorate after 20 GHz

Mechanical Specifications:

Parameter	Value	Notes
Operating Temperature*	-40°C to +60°C	
Non-operating Temperature*	-50°C to +70°C	
Relative humidity	95%	
RF Input/Output Connector	SMA Female/SMA Female	
DC Bias	Solder Pin	
Altitude	10,000	feet
Shock / Vibration(MIL-STD-810F)	20g,11ms,saw-tooth	
Shock(non operating)	20G for 11msc half sin wave,3 axis both directions	
Dimensions W x H x D	38*58.5*12.5	mm
Weight	200	g

*Note: For a wider temperature range, please consult the manufacturer.

Absolute Maximum Ratings:

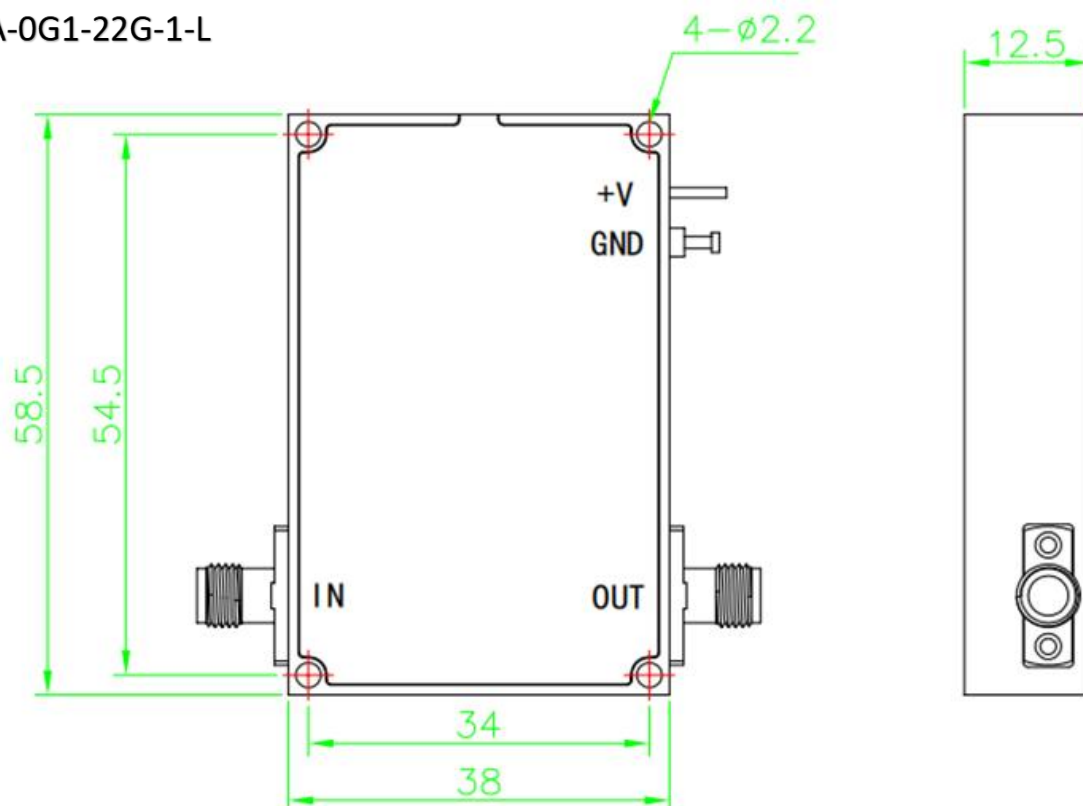
Parameter	Value
Supply Bias Voltage	+18 V
RF Input Power	+10 dBm
ESD sensitivity (HBm)	Class 0, passed 150V



Outline Drawing:

Unit:mm

PA-0G1-22G-1-L



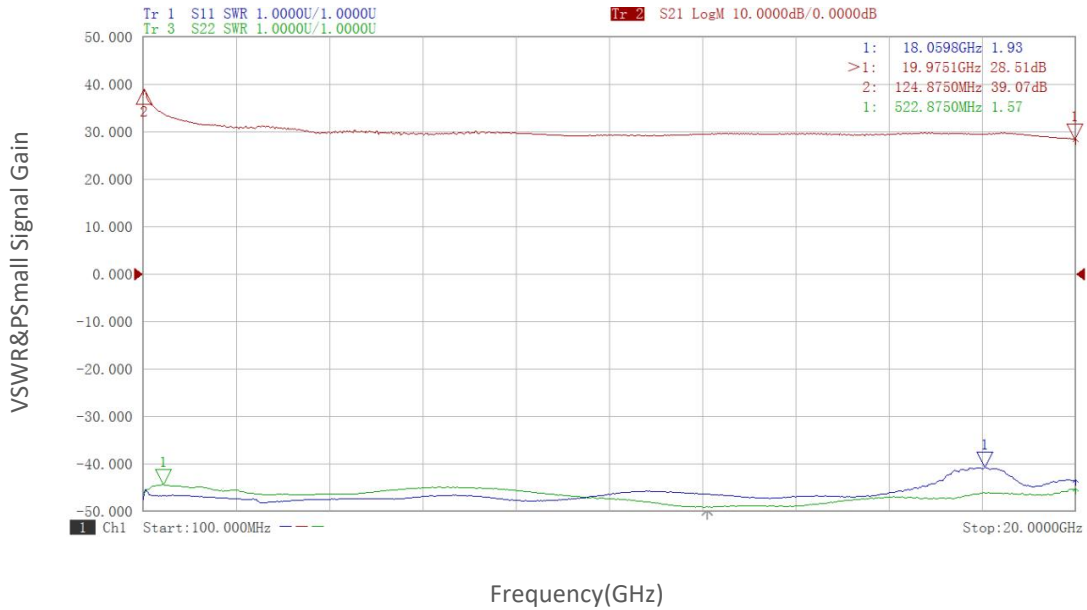
Ordering Information:

Base Number	Description	Optional
PA-0G1-22G-1-L	Power Amplifier, 0.1-22GHz, Gain:30dB,P1dB:1W,+18V DC	Without Heatsink
PA-0G1-22G-1-L-HS	Power Amplifier, 0.1-22GHz, Gain:30dB,P1dB:1W,+18V DC	With Heatsink

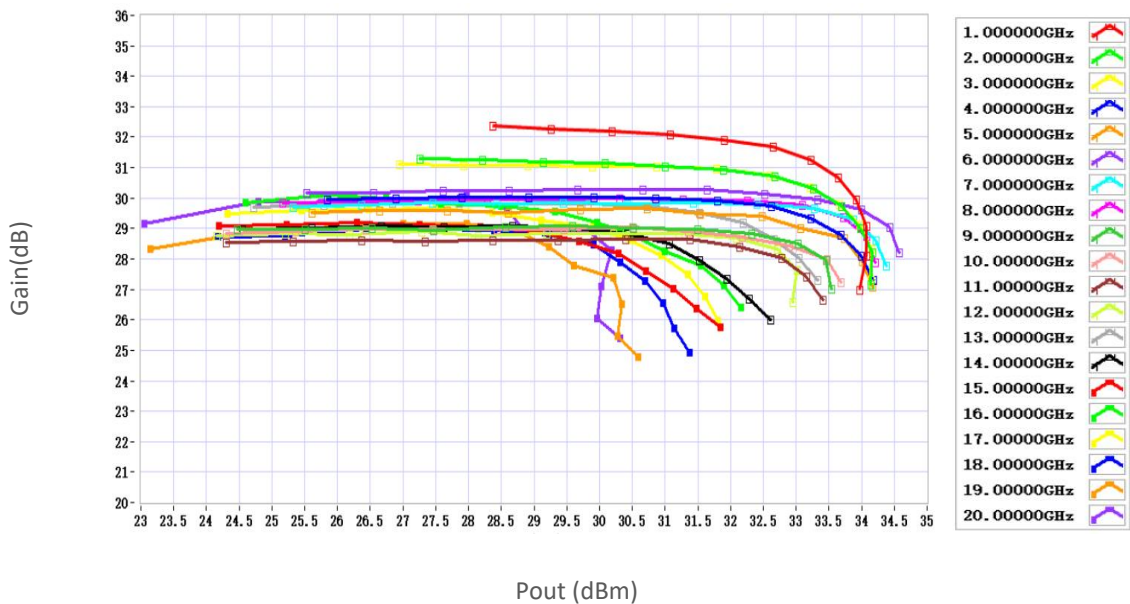


Typical Performance Data:

VSWR&Small Signal Gain vs Frequency



Gain vs Output Power

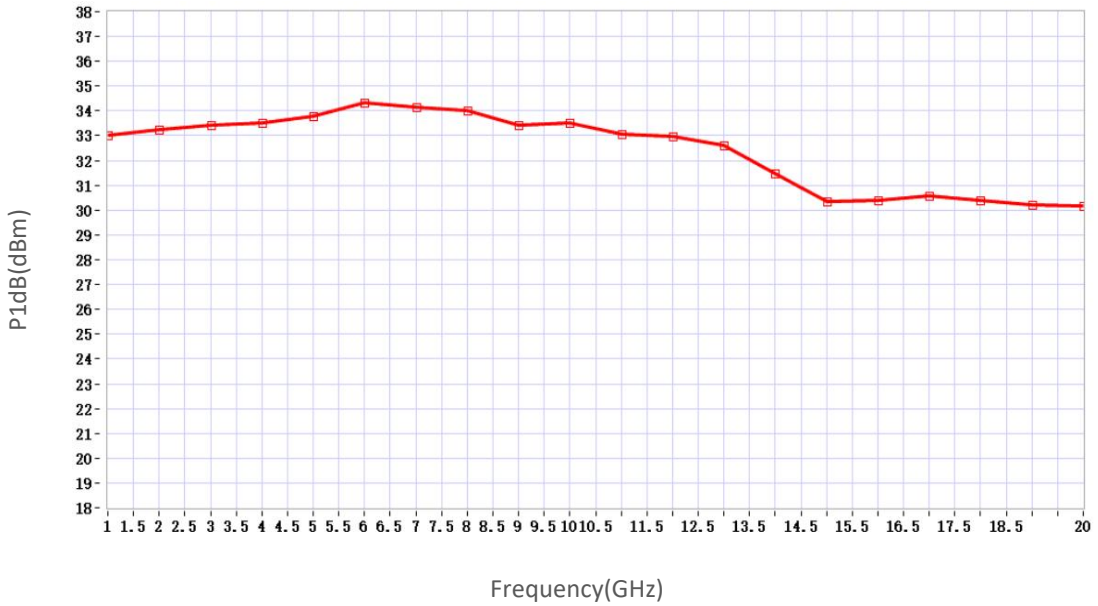


Note: Above data is for ref only, actual data may vary from unit to unit depending on operating environment and other factors like material lots etc.



Typical Performance Data:

P1dB vs Frequency



Note: Above data is for ref only, actual data may vary from unit to unit depending on operating environment and other factors like material lots etc.