



Power Amplifier

Model: PA-8G-12G-32

8-12GHz 32W CW

Ultrabroad frequency range, high performance and exceptional RF characteristics

Features:

- Frequency range: 8-12GHz
- High output power at saturation, 32W Min.
- High gain, 45 dB Min.
- 50 Ohm Matched Input / Output.

Applications:

- Cellular
- PCN
- GSM
- ISM
- Lab Test

Product Overview:

The PA-8G-12G-32 is a power amplifier with a minimum power gain of 45 dB and a minimum Psat of 32W across the frequency range of 8 to 12GHz. The DC power requirement for the amplifier is +28 VDC/150 W. The input and output port configuration offers coax adapter structure with SMA female.



Electrical Specifications at 25°C:

Parameter	Min	Typ	Max	Units
Frequency range	8		12	GHz
Power Gain	45			dB
Power Gain Flatness		±3		dB
Output Psat	45			dBm
Spurious@Pout=45dBm			-60	dBc
Harmonic@Pout=45dBm			-10	dBc
Input VSWR			2	:1
DC Voltage		28		V DC
Power Consumption			150	W
Impedance		50		Ohms

Mechanical Specifications:

Parameter	Value	Notes
Operating Temperature*	-40°C to +50°C	
Non-operating Temperature*	-50°C to +60°C	
Relative humidity	95%	
RF Input/Output Connector	SMA Female/SMA Female	
DC Bias	Feedthru capacitors	
Altitude	10,000	feet
Shock / Vibration(MIL-STD-810F)	25g rms (15 degree 2KHz) endurance, 1 hour per axis	
Shock(non operating)	20G for 11msc half sin wave,3 axis both directions	
Dimensions W x H x D	60*60*11(Without heatsink) 188*125*146(With heatsink)	mm
Weight	≤200	g

*Note: For a wider temperature range, please consult the manufacturer.

Absolute Maximum Ratings:

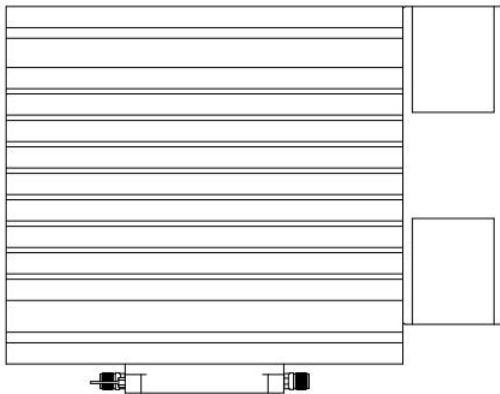
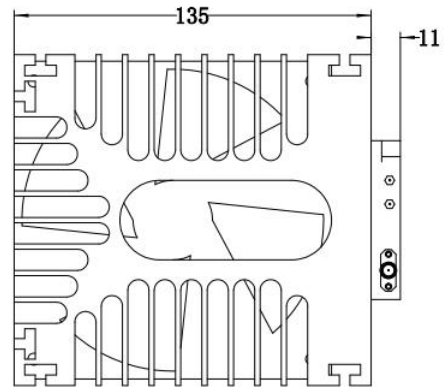
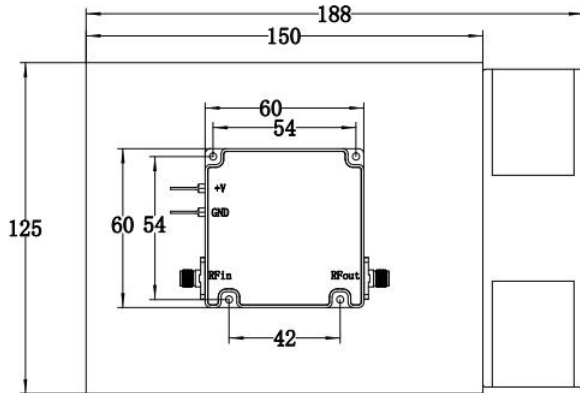
Parameter	Value
Supply Bias Voltage	+29 V
RF Input Power	+5 dBm
ESD sensitivity (HBm)	Class 0, passed 150V



Outline Drawing:

Unit:mm

PA-8G-12G-32-HS



Ordering Information:

Base Number	Description	Optional
PA-8G-12G-32	Power Amplifier, 8-12GHz, Gain:45dB,Psat:32W,+28V DC	Without Heatsink
PA-8G-12G-32-HS	Power Amplifier, 8-12GHz, Gain:45dB,Psat:32W,+28V DC	With Heatsink