



Power Amplifier

Model: PA-8G-12G-50

8-12GHz 50W CW

Ultrabroad frequency range, high performance and exceptional RF characteristics

Features:

- Frequency range: 8-12GHz
- High output power at saturation, 50W Min.
- High gain, 47 dB Min.
- 50 Ohm Matched Input / Output.

Applications:

- Cellular
- PCN
- GSM
- ISM
- Lab Test

Product Overview:

The PA-8G-12G-50 is a power amplifier with a minimum power gain of 47 dB and a minimum Psat of 50W across the frequency range of 8 to 12 GHz. The DC power requirement for the amplifier is +28 VDC/11 A. The input and output port configuration offers coax adapter structure with SMA female.



Electrical Specifications at 25°C:

Parameter	Min	Typ	Max	Units
Frequency range	8		12	GHz
Power Gain	47			dB
Power Gain Flatness@full band		±3		dB
Output Psat	47			dBm
Spurious@Pout=47dBm			-50	dBc
2nd Harmonics@Pout=47dBm			-15	dBc
Input VSWR			2	:1
DC Voltage	+24	+28	+29	V DC
DC Supply Current		11		A
Impedance		50		Ohms

Mechanical Specifications:

Parameter	Value	Notes
Operating Temperature*	-20°C to +50°C	
Non-operating Temperature*	-30°C to +60°C	
Relative humidity	95	%
RF Input/Output Connector	SMA Female/SMA Female	
DC Supply Connector	DSUB-7W2	A1:+28V A2:GND Pin1~5:NC
Altitude	10,000	feet
Shock / Vibration(MIL-STD-810F)	25g rms (15 degree 2KHz) endurance, 1 hour per axis	
Shock(non operating)	20G for 11msc half sin wave,3 axis both directions	
Dimensions W x H x D	150*90*20	mm
Weight	≤500	g

*Note: For a wider temperature range, please consult the manufacturer.

Absolute Maximum Ratings:

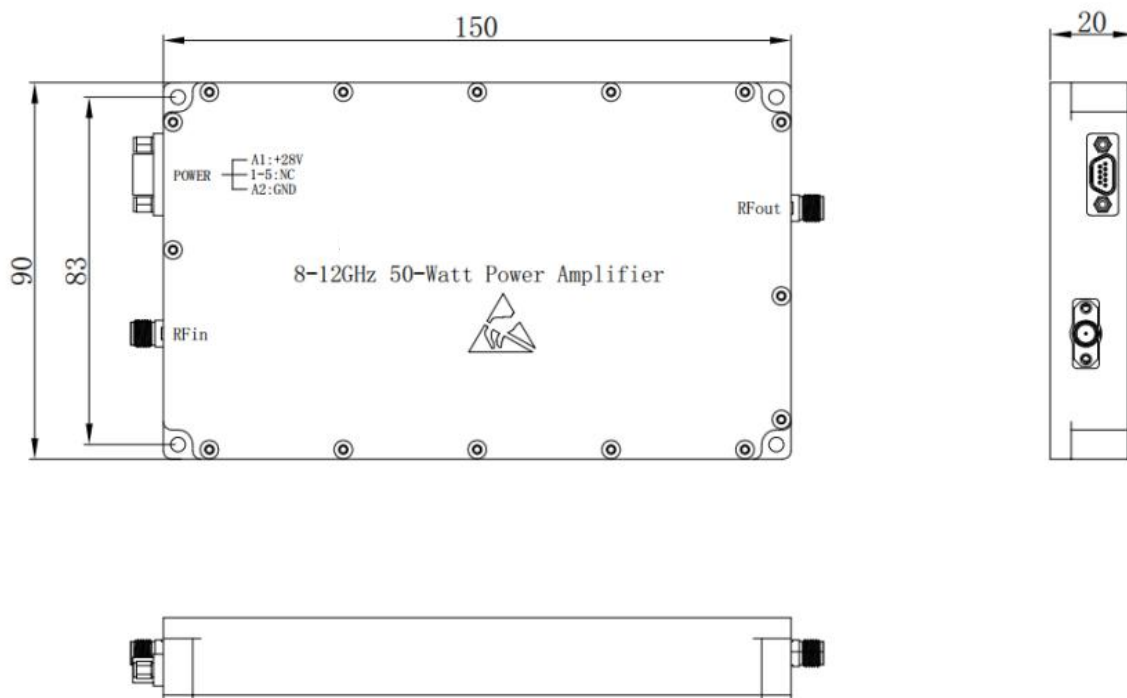
Parameter	Value
Supply Bias Voltage	+28 V
RF Input Power	+5 dBm
ESD sensitivity (HBm)	Class 0, passed 150V



Outline Drawing:

Unit:mm

PA-8G-12G-50



Ordering Information:

Base Number	Description	Optional
PA-8G-12G-50	Power Amplifier, 8-12GHz, Gain:47dB,Psat:50W,+28V DC	Without Heatsink
PA-8G-12G-50-HS	Power Amplifier, 8-12GHz, Gain:47dB,Psat:50W,+28V DC	With Heatsink