



Power Amplifier

Model: PA-18G-26G5-16

18-26.5GHz 16W CW

Ultrabroad frequency range, high performance and exceptional RF characteristics

Features:

- Frequency range: 18-26.5GHz
- High output power at saturation, 16W Min.
- High gain, 42 dB Min.
- 50 Ohm Matched Input / Output.

Applications:

- Cellular
- PCN
- GSM
- ISM
- Lab Test

Product Overview:

The PA-18G-26G5-16 is a power amplifier with a minimum power gain of 42 dB and a minimum Psat of 16W across the frequency range of 18 to 26.5GHz. The DC power requirement for the amplifier is +22 VDC/100 W. The input and output port configuration offers coax adapter structure with 2.92mm female.



Electrical Specifications at 25°C:

Parameter	Min	Typ	Max	Units
Frequency range	18		26.5	GHz
Power Gain	42			dB
Gain Flatness		±3		dB
Output Psat	42			dBm
Spurious@Pout=42dBm			-60	dBc
Harmonic@Pout=42dBm			-15	dBc
Input VSWR			2	:1
DC Voltage		+22		V DC
DC Supply Current			100	W
Impedance		50		Ohms

Mechanical Specifications:

Parameter	Value	Notes
Operating Temperature*	-40°C to +50°C	
Non-operating Temperature*	-50°C to +60°C	
Relative humidity	95%	
RF Input/Output Connector	2.92mm Female/2.92mm Female	
DC Bias	Feedthru capacitors	
Altitude	10,000	feet
Shock / Vibration(MIL-STD-810F)	25g rms (15 degree 2KHz) endurance, 1 hour per axis	
Shock(non operating)	20G for 11msc half sin wave,3 axis both directions	
Dimensions W x H x D	60*60*11(Without heatsink) 188*125*146(With heatsink)	mm
Weight	≤200	g

*Note: For a wider temperature range, please consult the manufacturer.

Absolute Maximum Ratings:

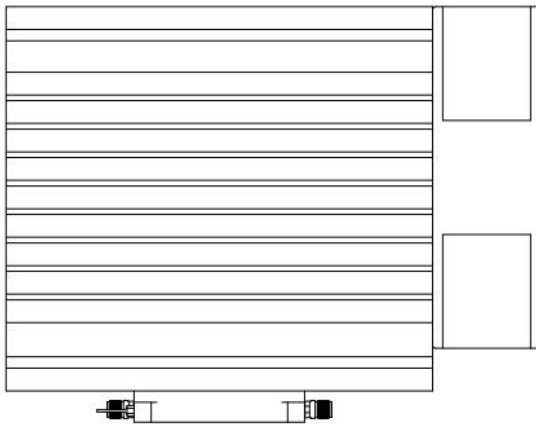
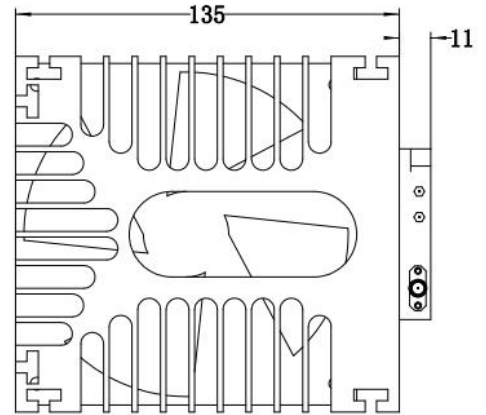
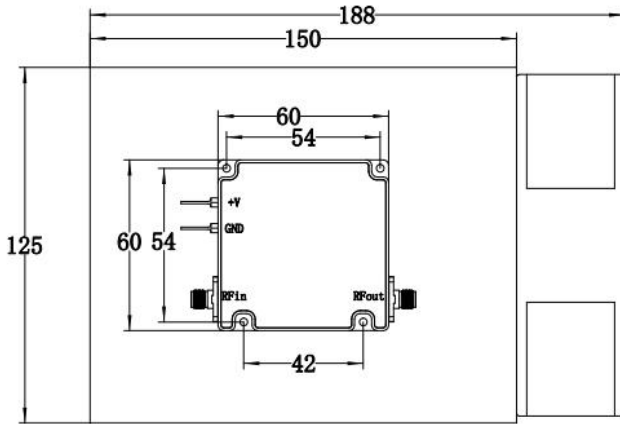
Parameter	Value
Supply Bias Voltage	+24 V
RF Input Power	+5 dBm
ESD sensitivity (HBm)	Class 0, passed 150V



Outline Drawing:

Unit:mm

PA-18G-26G5-16-HS



Ordering Information:

Base Number	Description	Optional
PA-18G-26G5-16	Power Amplifier, 18-26.5GHz, Gain:42dB,Psat:16W,+22V DC	Without Heatsink
PA-18G-26G5-16-HS	Power Amplifier, 18-26.5GHz, Gain:42dB,Psat:16W,+22V DC	With Heatsink