



Power Amplifier

Model: PA-40G-67G-2

40-67GHz 2W CW

Ultrabroad frequency range, high performance and exceptional RF characteristics

Features:

- Frequency range: 40-67GHz
- High output power at saturation, 2W Min.
- High gain, 9 dB Typ.
- 50 Ohm Matched Input / Output.

Applications:

- Cellular
- PCN
- GSM
- ISM
- Lab Test

Product Overview:

The PA-40G-67G-2 is a power amplifier with a typical gain of 9 dB and a minimum Psat of 2W across the frequency range of 40 to 67GHz. The DC power requirement for the amplifier is +24 VDC/1.7 A. The input and output port configuration offers coax adapter structure with 1.85mm female.



Electrical Specifications at 25°C:

| Parameter | Min | Typ | Max | Units |
|-------------------|-----|-----|-----|-------|
| Frequency range | 40 | | 67 | GHz |
| Gain | | 9 | | dB |
| Small Signal Gain | | 18 | | dB |
| Output Psat | 33 | 34 | | dBm |
| Input VSWR | | 2 | | :1 |
| Output VSWR | | 2 | | :1 |
| DC Voltage | | +24 | | V DC |
| DC Supply Current | | 1.7 | | A |
| Impedance | | 50 | | Ohms |

Mechanical Specifications:

| Parameter | Value | Notes |
|---------------------------------|--|-------|
| Operating Temperature* | -40°C to +60°C | |
| Non-operating Temperature* | -50°C to +70°C | |
| Relative humidity | 95% | |
| RF Input/Output Connector | 1.85mm Female/1.85mm Female | |
| DC Bias | Solder Pin | |
| Altitude | 10,000@Min; 30,000@Max | feet |
| Shock / Vibration(MIL-STD-810F) | Airborne | |
| Shock(non operating) | 20G for 11msc half sin wave,3 axis both directions | |
| Dimensions W x H x D | 44*52*13 | mm |

*Note: For a wider temperature range, please consult the manufacturer.

Absolute Maximum Ratings:

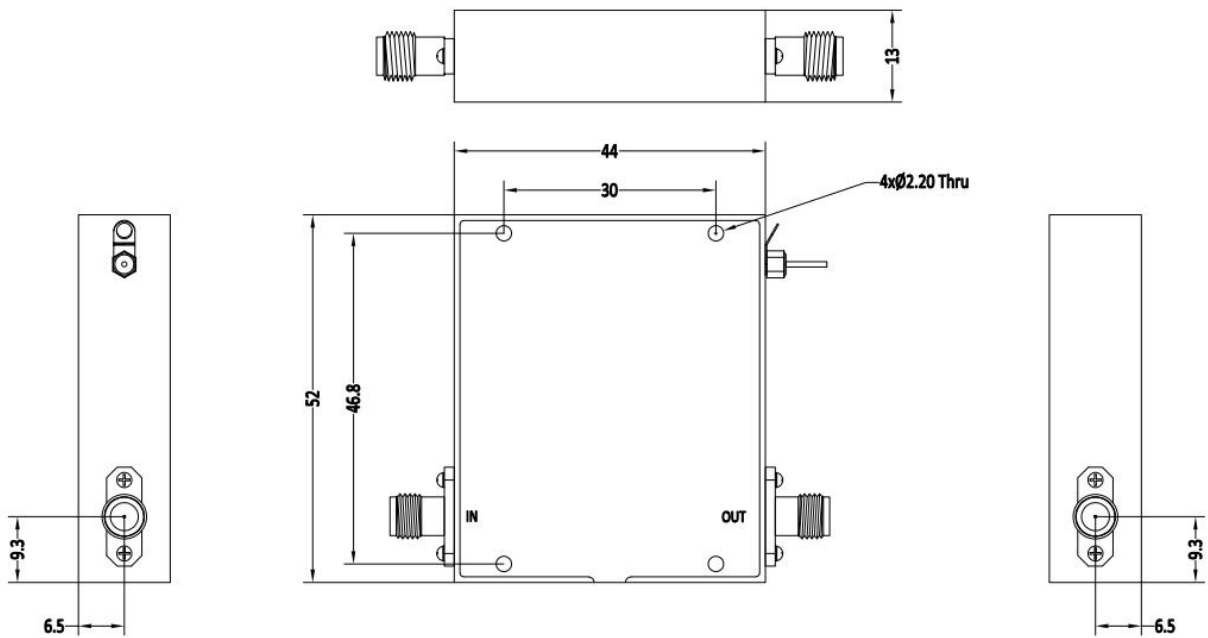
| Parameter | Value |
|-----------------------|----------------------|
| Supply Bias Voltage | +24 V |
| RF Input Power | +30 dBm |
| ESD sensitivity (HBm) | Class 0, passed 150V |



Outline Drawing:

Unit:mm

PA-40G-67G-2



Ordering Information:

| Base Number | Description | Optional |
|-----------------|--|------------------|
| PA-40G-67G-2 | Power Amplifier, 40-67GHz, Gain:9dB,Psat:2W,+24V DC | Without Heatsink |
| PA-40G-67G-2-HS | Power Amplifier, 40-67GHz, Gain:9dB,Psat:2W,+24V DC | With Heatsink |