



Power Amplifier

Model: PA-49G-51G-4

49-51GHz 4W CW

Ultrabroad frequency range, high performance and exceptional RF characteristics

Features:

- Frequency range: 49-51GHz
- High output power at saturation, 4W Min.
- High gain, 36 dB Min.
- 50 Ohm Matched Input / Output.

Applications:

- Cellular
- PCN
- GSM
- ISM
- Lab Test

Product Overview:

The PA-49G-51G-4 is a power amplifier with a minimum power gain of 36 dB and a minimum Psat of 4W across the frequency range of 49 to 51 GHz. The DC power requirement for the amplifier is +18 VDC/2.5 A. The input and output port configuration offers coax adapter structure with 2.4mm female.



Electrical Specifications at 25°C:

Parameter	Min	Typ	Max	Units
Frequency range	49		51	GHz
Power Gain	36			dB
Output Psat	36			dBm
Spurious@Pout=36dBm			-50	dBc
Input VSWR		2.5		:1
DC Voltage		+18	+19	V DC
DC Supply Current		2.5		A
Impedance		50		Ohms

Mechanical Specifications:

Parameter	Value	Notes
Operating Temperature*	-40°C to +60°C	
Non-operating Temperature*	-50°C to +70°C	
Relative humidity	95	%
RF Input/Output Connector	2.4mm Female/2.4mm Female	
DC Bias	Feedthru capacitors	
Altitude	10,000	feet
Shock / Vibration(MIL-STD-810F)	25g rms (15 degree 2KHz) endurance, 1 hour per axis	
Shock(non operating)	20G for 11msc half sin wave,3 axis both directions	
Dimensions W x H x D	60*60*11(Without heatsink) 188*125*146(With heatsink)	mm
Weight	≤200	g

*Note: For a wider temperature range, please consult the manufacturer.

Absolute Maximum Ratings:

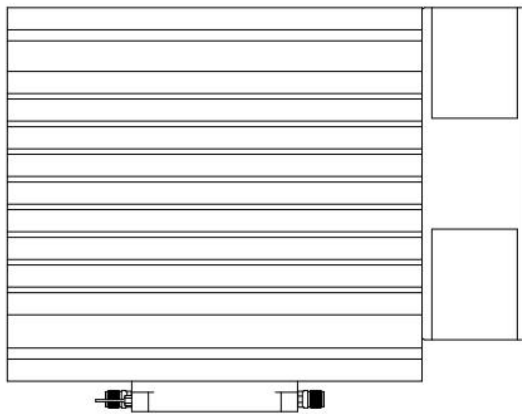
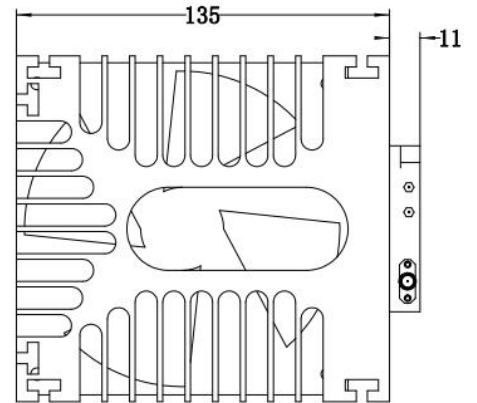
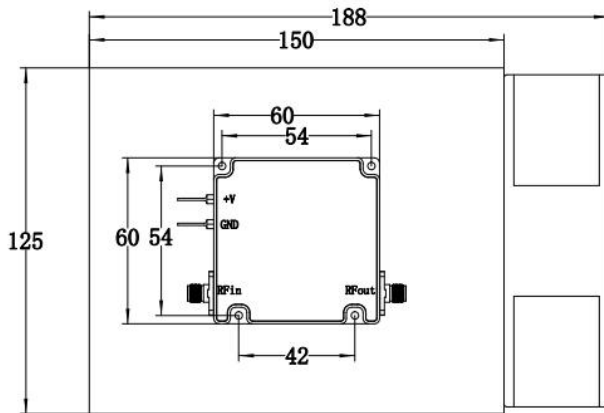
Parameter	Value
Supply Bias Voltage	+19 V
RF Input Power	+5 dBm
ESD sensitivity (HBm)	Class 0, passed 150V



Outline Drawing:

Unit:mm

PA-49G-51G-4-HS



Ordering Information:

Base Number	Description	Optional
PA-49G-51G-4	Power Amplifier, 49-51GHz, Gain:36dB,Psat:4W,+18V DC	With Heatsink